



Infrared Detection TCSPC System



TCSPC in the Infrared Spectral Range

Based on IDQ id220 InGaAs SPAD Detector and bh Simple-Tau TCSPC Systems

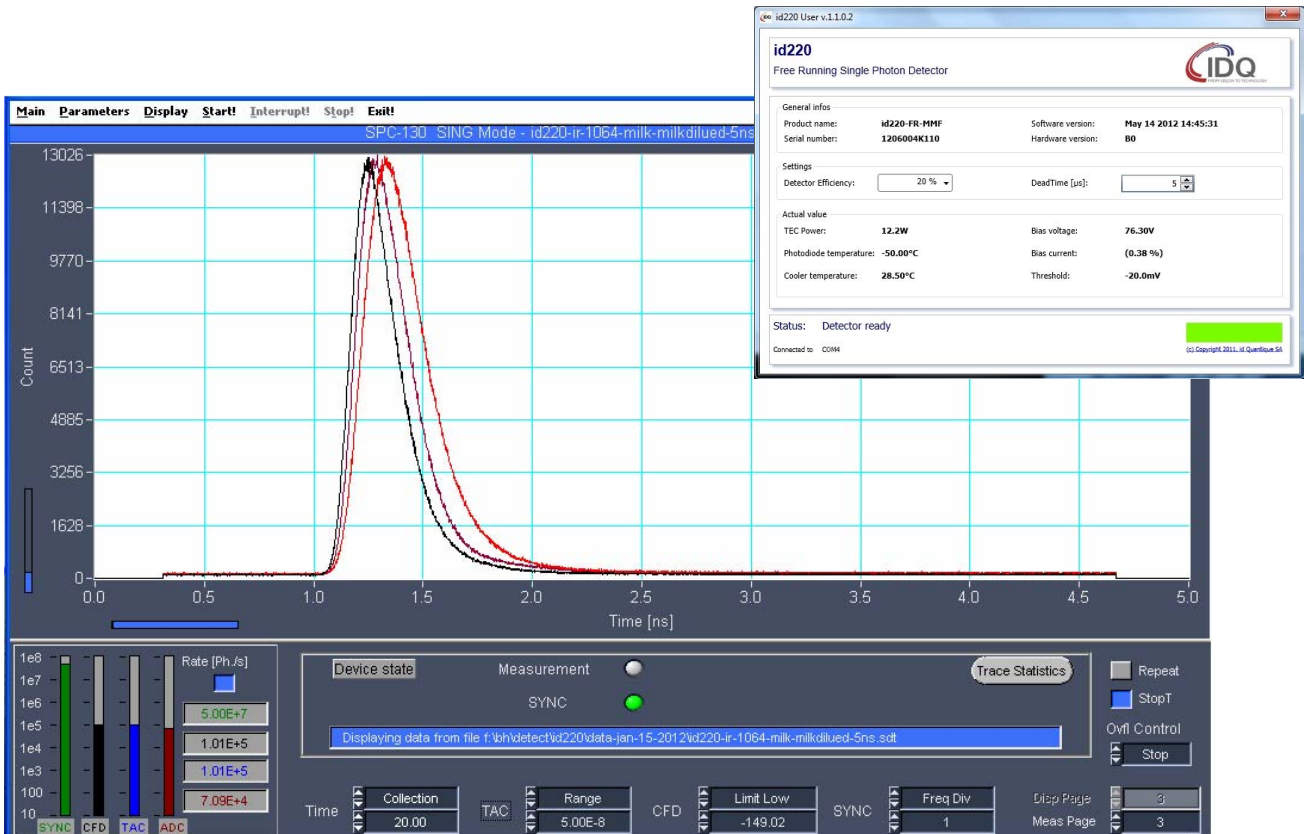
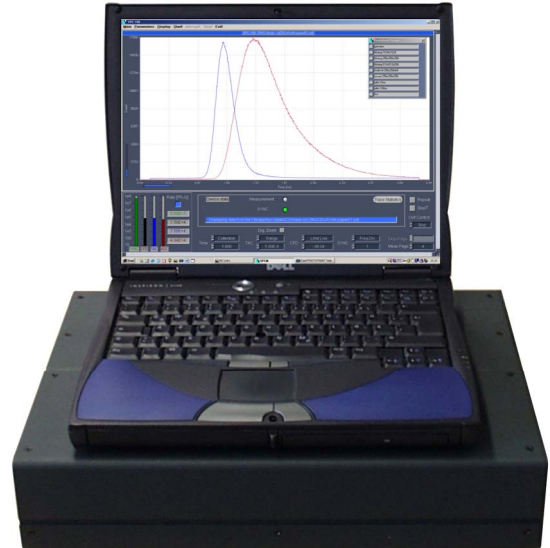
Detection from 900 nm to 1700 nm

Single-Photon Sensitivity

Quantum Efficiency 20%

Continuous Operation - No Gating

Time Resolution 200 ps FWHM



20 years experience in multi-dimensional TCSPC
More than 1500 TCSPC systems worldwide.

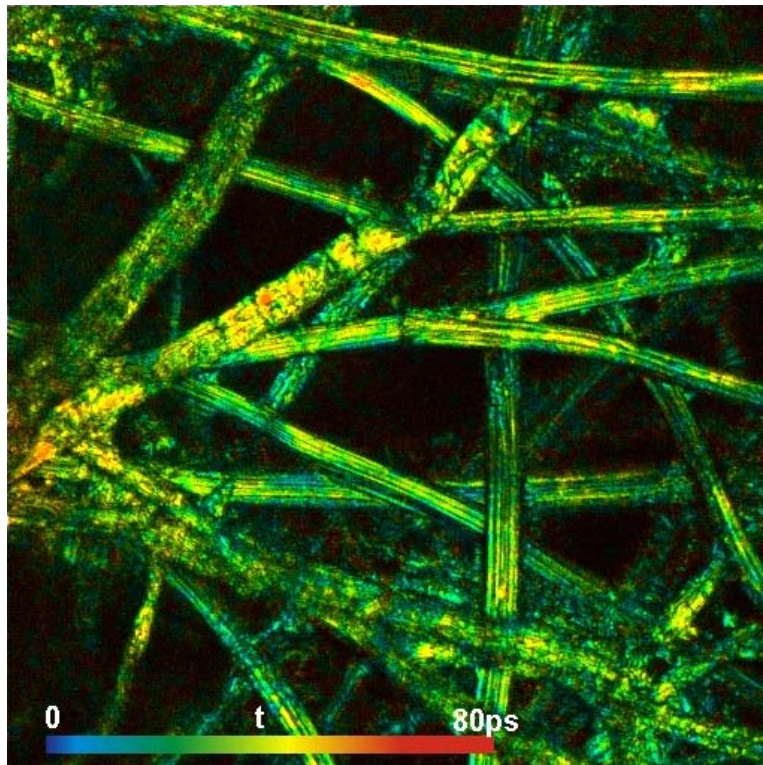
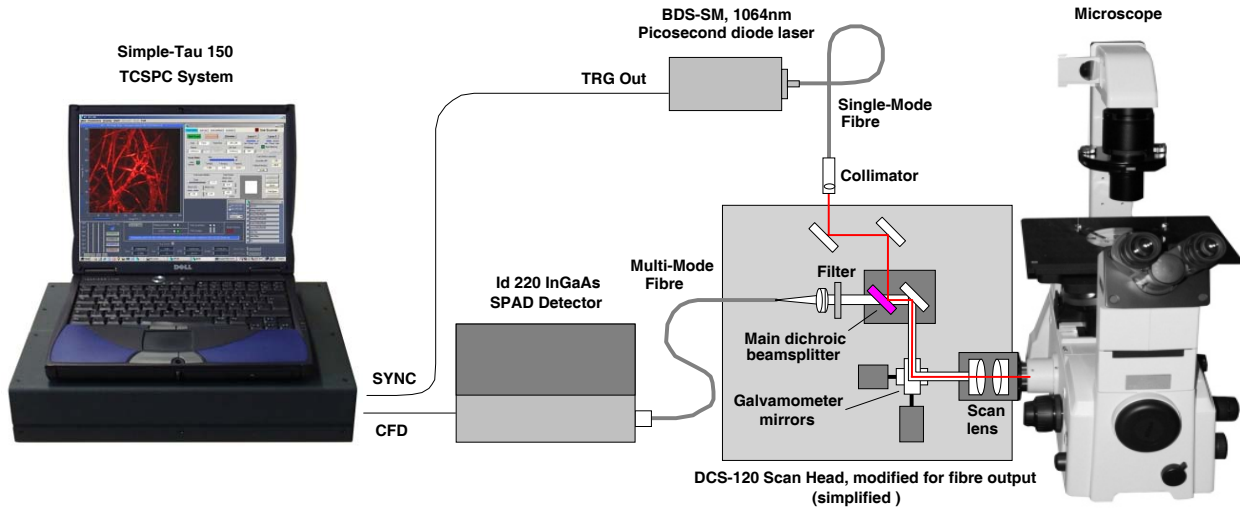




Infrared Detection TCSPC System



Application: Fluorescence Lifetime Imaging up to 1700 nm



Cellulose fibres, stained with IR1061 (Aldrich). Excitation 1064 nm, detection 1100nm to 1400nm. Colour represents fluorescence lifetime, lifetime range from 0 to 80 ps.



Becker & Hickl GmbH
 Nahmitzer Damm 30
 12277 Berlin, Germany
 Tel. +49 30 787 5632
 info@becker-hickl.com
 www.becker-hickl.com

Fax -5734



US Representative:
Boston Electronics Corp
 Tel: (800) 347 5445 or (617) 566 3821
 Fax: (617) 731 0935
 www.boselec.com
 tcspc@boselec.com



id Quantique SA
 Ch. de la Marbrerie 3
 1227 Carouge, Switzerland
 Tel. +41 22 301 8371 Fax -8371
 sales@idquantique.com
 www.idquantique.com